

产品选型手册

Product selection guide



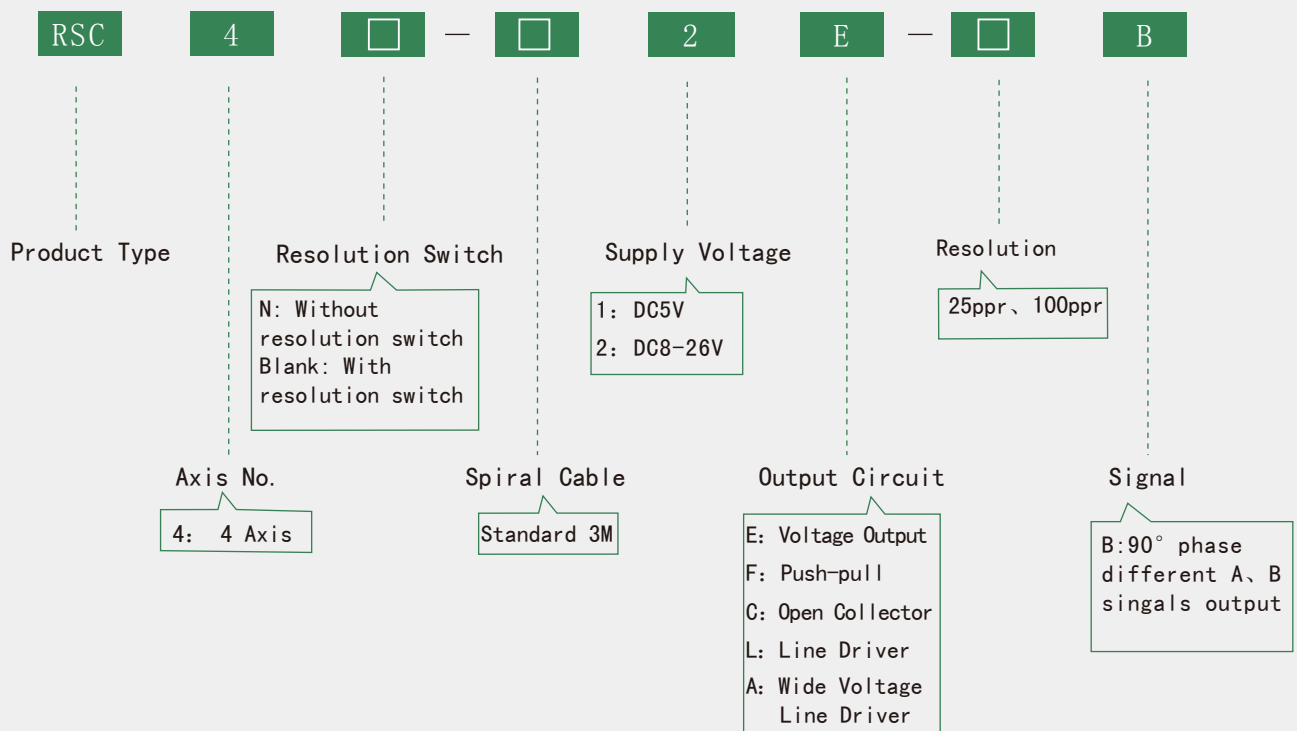
RSC Series

Applications & Features



Compact design, easy to move.
 All-plastic housing, anti-oil, sealed.
 Housing with hook and magnet.
 Standard spiral cable 3M.
 Widely used in CNC machine tools.

Part Number



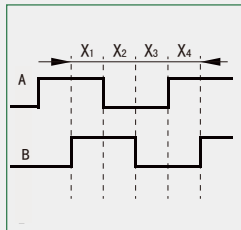
Electrical Specifications

Output Circuit	Supply Voltage DC (V)	Current Requirement (mA)	Output Voltage (V)		Rise Time (ns)	Fall Time (ns)	Frequency Response (kHz)
			V _H	V _L			
E (Voltage)	5±0.25	≤60	≥3.5	≤0.5	≤500	≤100	0~100
	8~26		≥V _{CC} -2.5	≤0.5	≤1500	≤300	
C (Open Collector)	5±0.25	≤60	/	/	/	/	0~100
	8~26		/	/	/	/	
L (Line driver)	5±0.25	≤100	≥2.5	≤0.5	≤200	≤200	0~100
A (Wide Voltage Line Driver)	8~26	≤80	≥V _{CC} -2.5	≤0.8	≤800	≤200	0~100
F (Push Pull)	5±0.25	≤60	≥3.5	≤0.8	≤300	≤200	0~100
	8~26		≥V _{CC} -2.5	≤1.0	≤500	≤200	

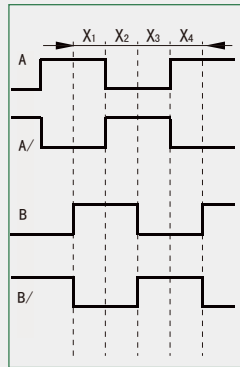
Output Circuit

E (Voltage)		F (Push-pull)		G (Open Collector)	L, A (Line Driver)
5V	8-26V	5V	8-26V		
					<p>L: 26C31 A: ET7272B</p>

Output Waveform



Waveform for C, E, F output



Waveform for L, A output

- Wave Ratio : $X_1+X_2=0.5T \pm 0.1T$
 $X_2+X_3=0.5T \pm 0.1T$
- Phase Different : $X_n \geq 0.125T$ ($n=1, 2, 3, 4$)
- Absolute Angle Error: $\leq 0.2T$
- Cycle Error : $\leq 0.05T$
- $T=360^\circ / N$ (N =lines count per revolution)

MPG Function

Axis No.					Resolution Switch			Start (Recover)	Display (LED)		Emergency Stop			
OFF	X	Y	Z	4	X1	X10	X100	COM	DC 24V	OV _{LED}	NC1	NC2	NC1	NC2

Environmental Specifications

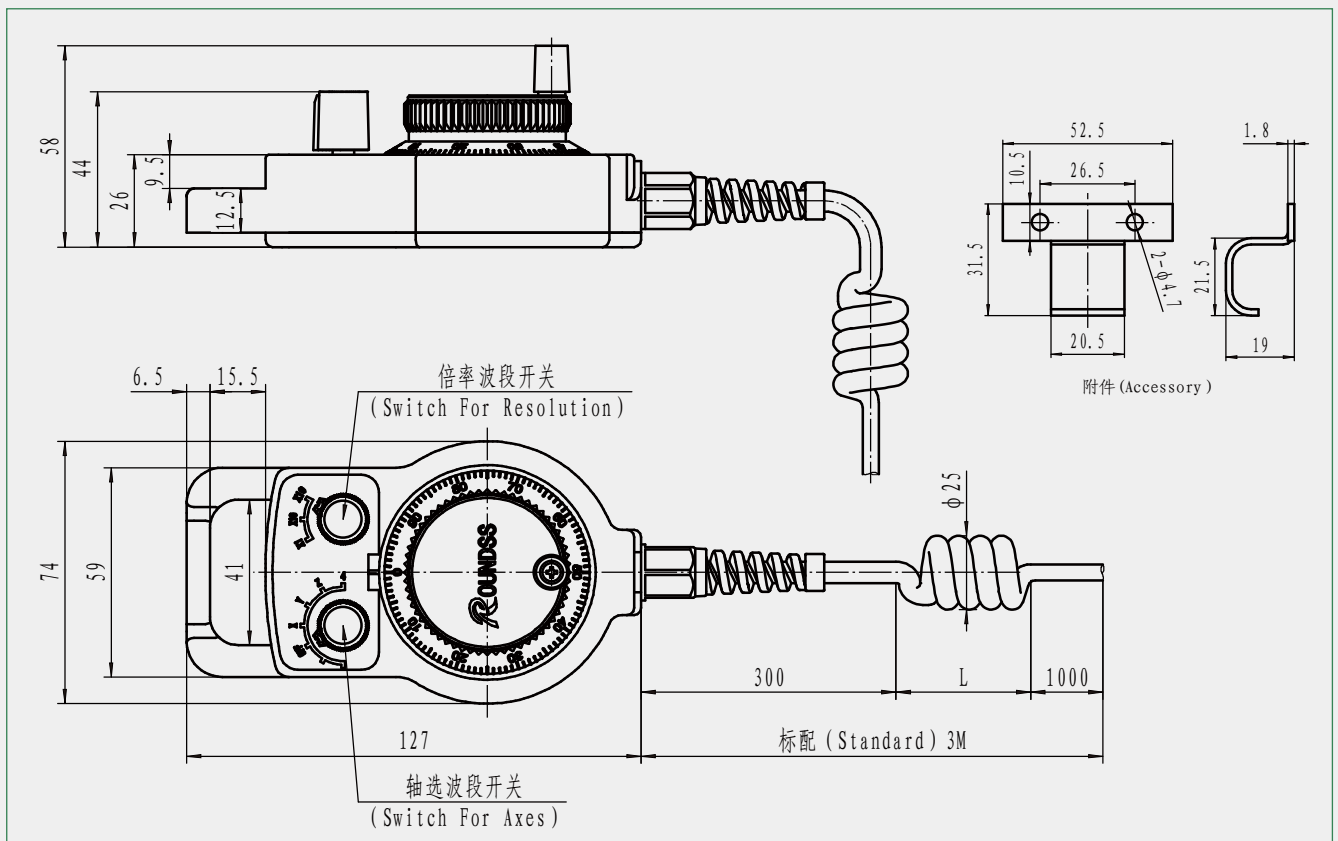
Max. Speed	600r/min
Operating Temp.	-10~+60°C
Store Temp.	-20~+70°C
Size	127*74*58mm
Weight	Approx. 0.555kg

Connection

14 Pins Cable Wire, 4 Axis

Cable Color	RD	BK	YL	WH	LBU	GN	BN	DBU	OG	CR	GY	WH/BK	PK	PL
L	VCC	OV	A	B	COM	X	Z	4	Y	X1	X10	X100	A/	B/
E	VCC	OV	A	B	COM	X	Z	4	Y	X1	X10	X100	/	/

Dimension



China Rongde Optics Co., Ltd

www.roundssencoder.com

