

产品选型手册

Product selection guide



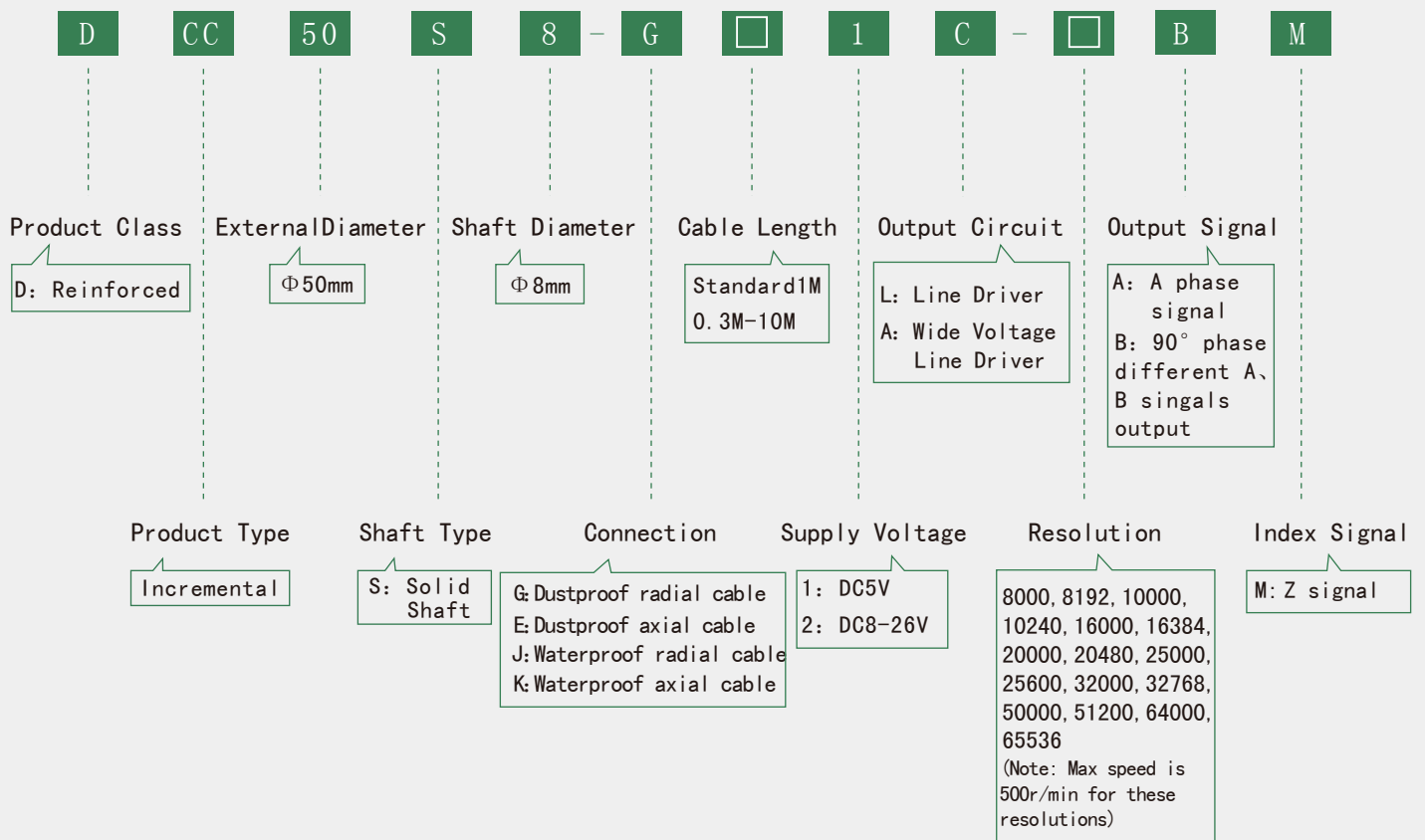
DCC50S · Series

Applications & Features



DCC50S, 50mm External Diameter; Various kinds of termination; Wide application range. The grating divided into metal grating and glass grating, the max resolution up to 500ppr. Optoelectronic devices with high reliability, long life, strong anti-interference ability, wide range of operating temperature.

Part Number



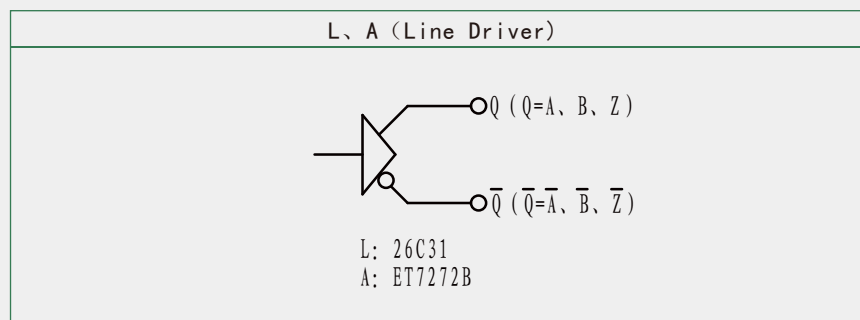
Electrical Specifications

Output Circuit	Supply Voltage DC (V)	Current Requirement (mA)	(Output Voltage V)		Rise Time (ns)	Fall Time (ns)	Frequency Response (kHz)
			V _H	V _L			
L (Line Driver)	5±0.25	≤100	>3.5	≤0.7	≤200	≤200	0-300
A (Wide Voltage Line Driver)	8-26	≤60	>VCC-2.5	≤0.7	≤500	≤100	0-300

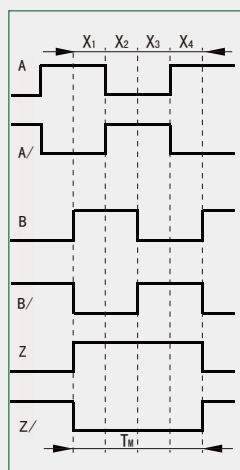
Mechanical Specifications

Max Speed (r/min)	Starting Torque (N. M)	Max Load (N)		Rotary Inertia (kgm ²)	Weight (kg)
		Radial	Axial		
500	1×10^{-3}	30	20	4×10^{-6}	≈ 0.19

Output Circuit



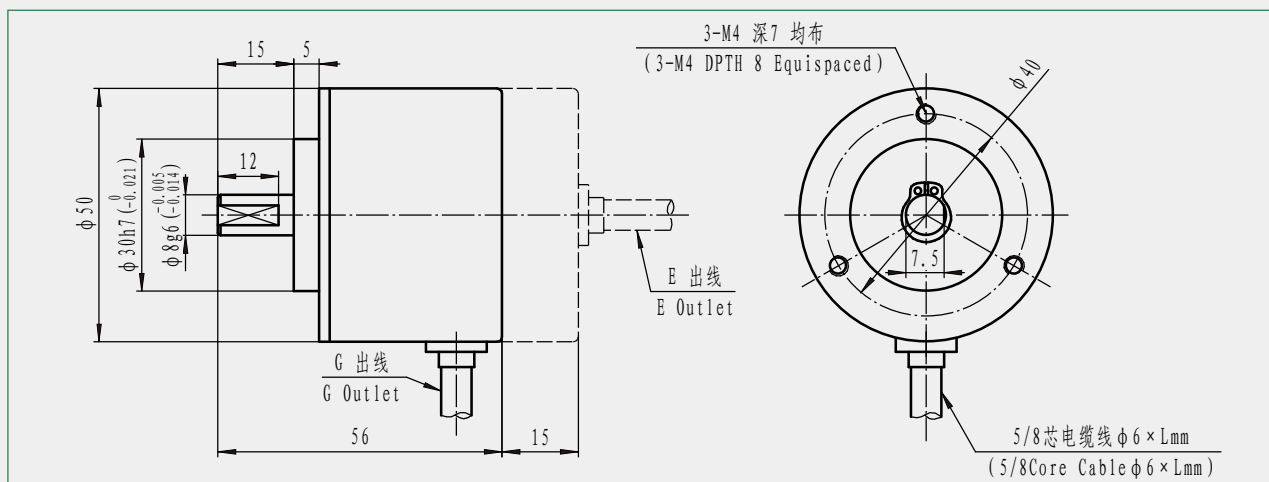
Output Waveform



- Wave Ratio** : $X1+X2=0.5T \pm 0.1T$
 $X2+X3=0.5T \pm 0.1T$
- Phase Different** : $Xn \geq 0.125T$ ($n=1, 2, 3, 4$)
- Absolute Angle Error** : $\leq 0.2T$
- Cycle Error** : $\leq 0.05T$
- $T=360^\circ / N$ (N =lines count per revolution)
- Width of Z signal**
- 1、 $Tm=1T \pm 0.5T$
 $Tm=nT \pm 0.1T$ ($n \geq 2$)
- The phase relationship of Z signal and A, B signal is not stipulated.
- 2、 $Tm=0.5T \pm 0.25T$
 $Tm=0.25T \pm 0.125T$
 $Tm=0.25T \pm 0.125T$

The picture shows the clockwise (CW) waveform from the shaft side.

Dimension



Environmental Specifications

Operating Temperature (°C)	-20~+85
Storage Temperature (°C)	-30~+95
Relative Humidity	35~85%RH no condensation
Impact Resistance (m/s ²)	980 (Three times each on x, y, z directions, each time lasts 6ms)
Vibration Resistance (m/s ²)	50 (10~200Hz, 2h on x, y, z directions)
Protection Class	IP65

Connections

Cable Color	Red	Black	Green	Brown	White	Grey	Yellow	Orange	Shield
L、A (Line Driver)	Vcc	0V	A	A/	B	B/	Z	Z/	G

