

产品选型手册

Product selection guide



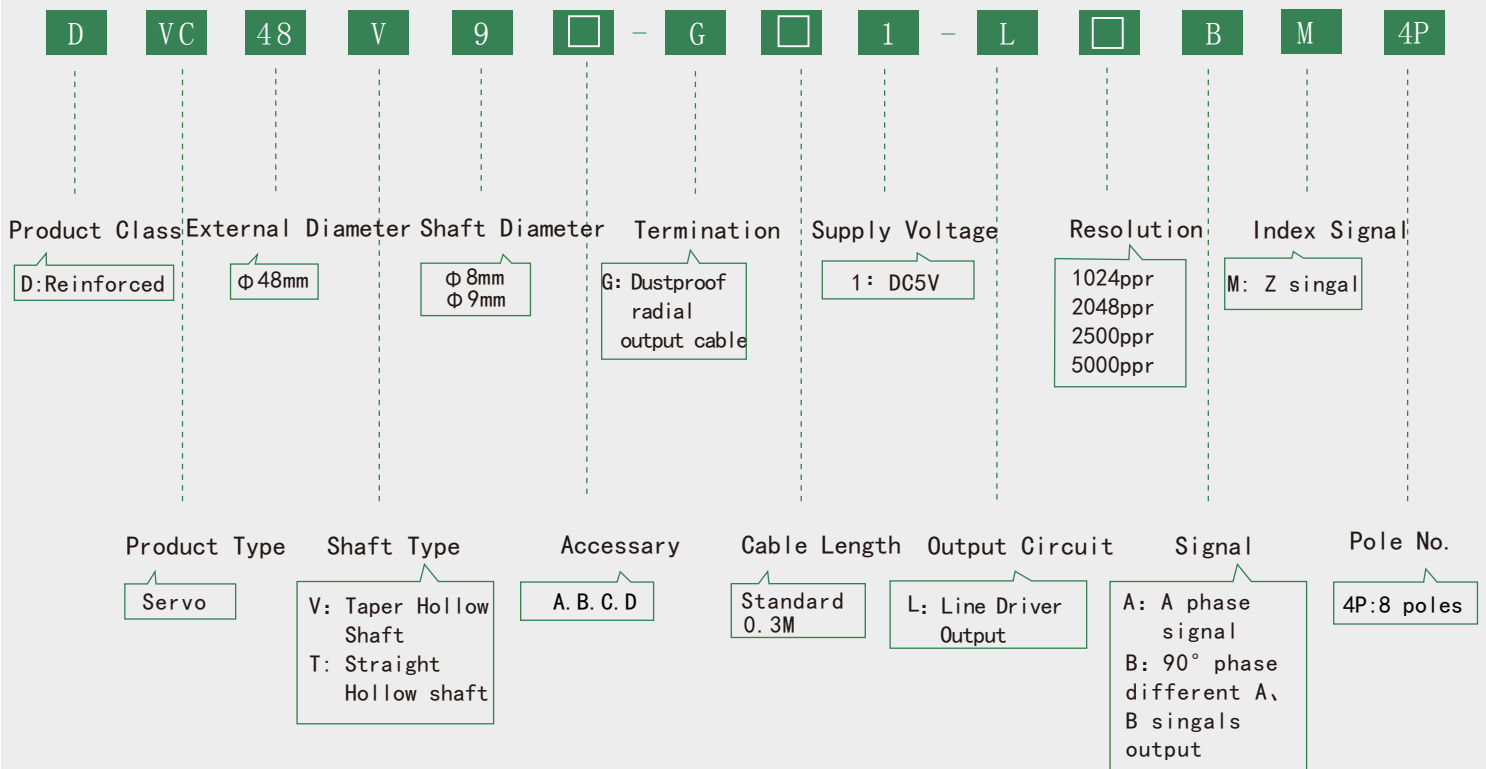
DVC48 • Series

Applications & Features



Compact, slim design, high-precision, resolutions up to 5000ppr. Straight and taper shaft are optional. Import optoelectronic components, high anti-interference ability.

Part Number

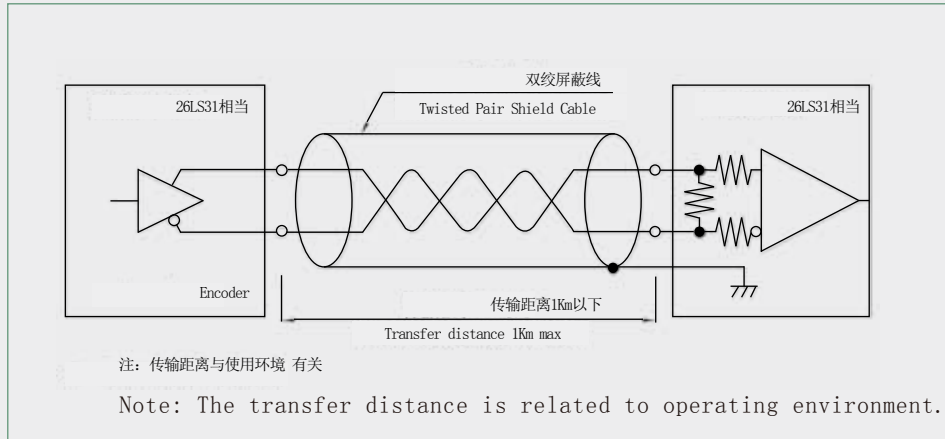


Specifications

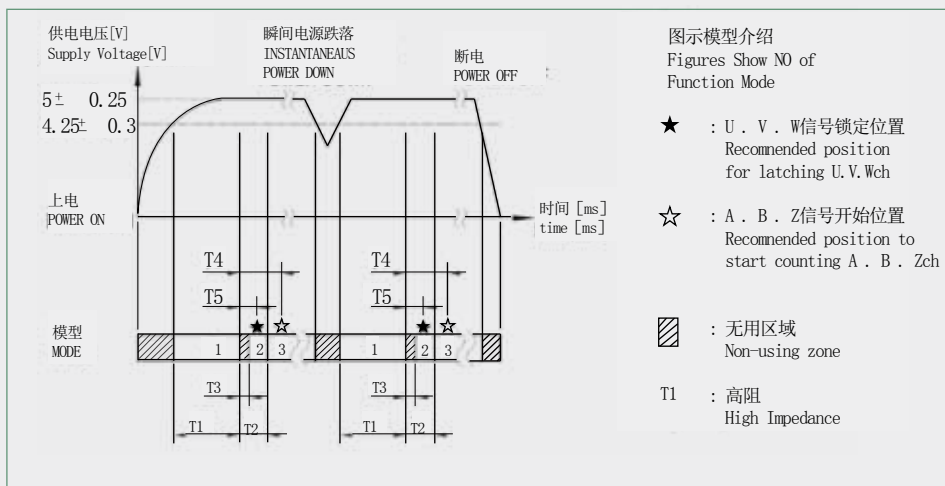
Mechanical Specifications	Standard Type
Universal Max Rotating Speed	8000rpm
Max Rotating Speed	15000rpm
Start Torque	$9.8 \times 10^{-3} \text{ N} \cdot \text{m}$ (100gk · cm Max)
Moment of Inertia	$6.5 \times 10^{-6} \text{ kg} \cdot \text{m}^2$ (65g · cm ² Max)
Mounting Tolerance	Radial Play 0.05mm TIR Max
	Axial Play 0.2mm Max
	Angular Inclination 0.1° Max
Breaking Strength of Shaft and Bearing	$\geq 650\text{N}$
Axial Pressure $\pm 10\text{N}$	Axial End-play Within $\pm 0.005\text{mm}$

Electrical Specifications	Standard	Less Wiring
Output Mode	Square Wave (TTL) 26LS31	
Supply Voltage DV (V)	$5\text{V} \pm 5\%$	
Consumption Current (mA)	$\leq 60\text{mA}$	$\leq 80\text{mA}$
Max Response Frequency (kHz)	300kHz	
Rise time & Fall Time	100nec Max	
Operating Temp. Range	$-20 \sim +85^\circ\text{C}$	
Storage Temp.	$-30 \sim +120^\circ\text{C}$	
Weight	0.05kg Max	
Protection Class	IP 50	

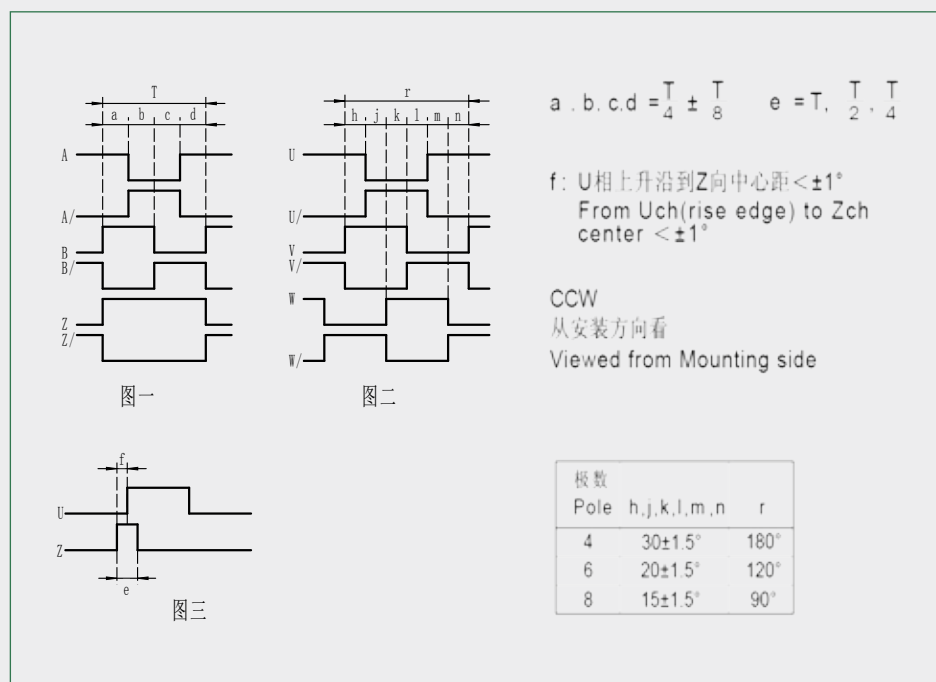
Line Driver Output

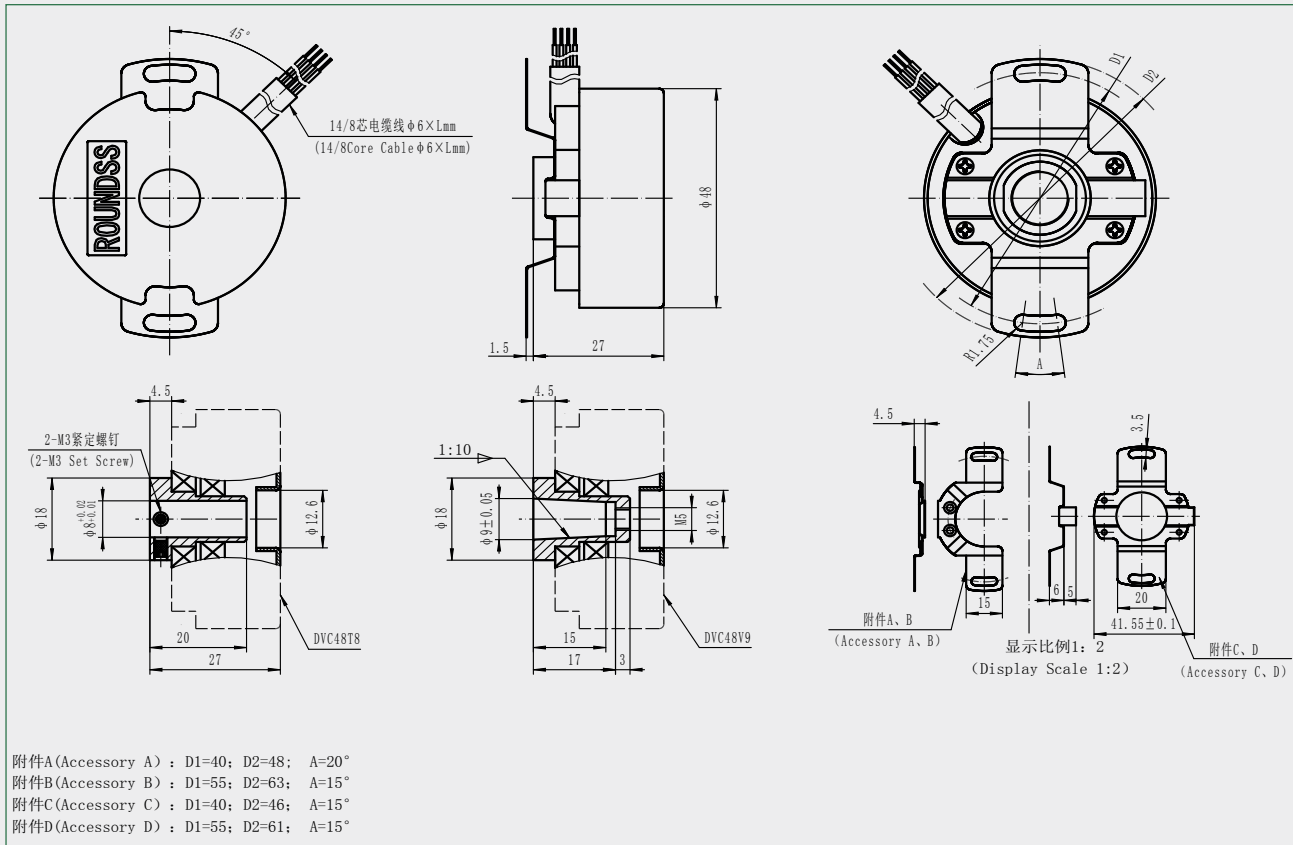


Less Wiring Type Timing Chart



Output Phase Shift





Standard Type

Color	Red	Black	Gray	Green	Yellow	Brown	Green	Orange
Line Driver	DC+5V	GND	A	B	Z	U	V	W
Color	White/Gray	White/Green	White/Yellow	White/Brown	White/Green	White/Orange	Shield	
Line Driver	\bar{A}	\bar{B}	\bar{Z}	\bar{U}	\bar{V}	\bar{W}	G	

Less Wire Type

Color	Red	Black	Gray	Green	Yellow	Brown	Green	Orange	Shield
Line Driver	DC+5V	GND	U/A	V/B	W/Z	\bar{U}/\bar{A}	\bar{V}/\bar{B}	\bar{W}/\bar{Z}	G

China Rongde Optics Co., Ltd

www.roundssencoder.com

