



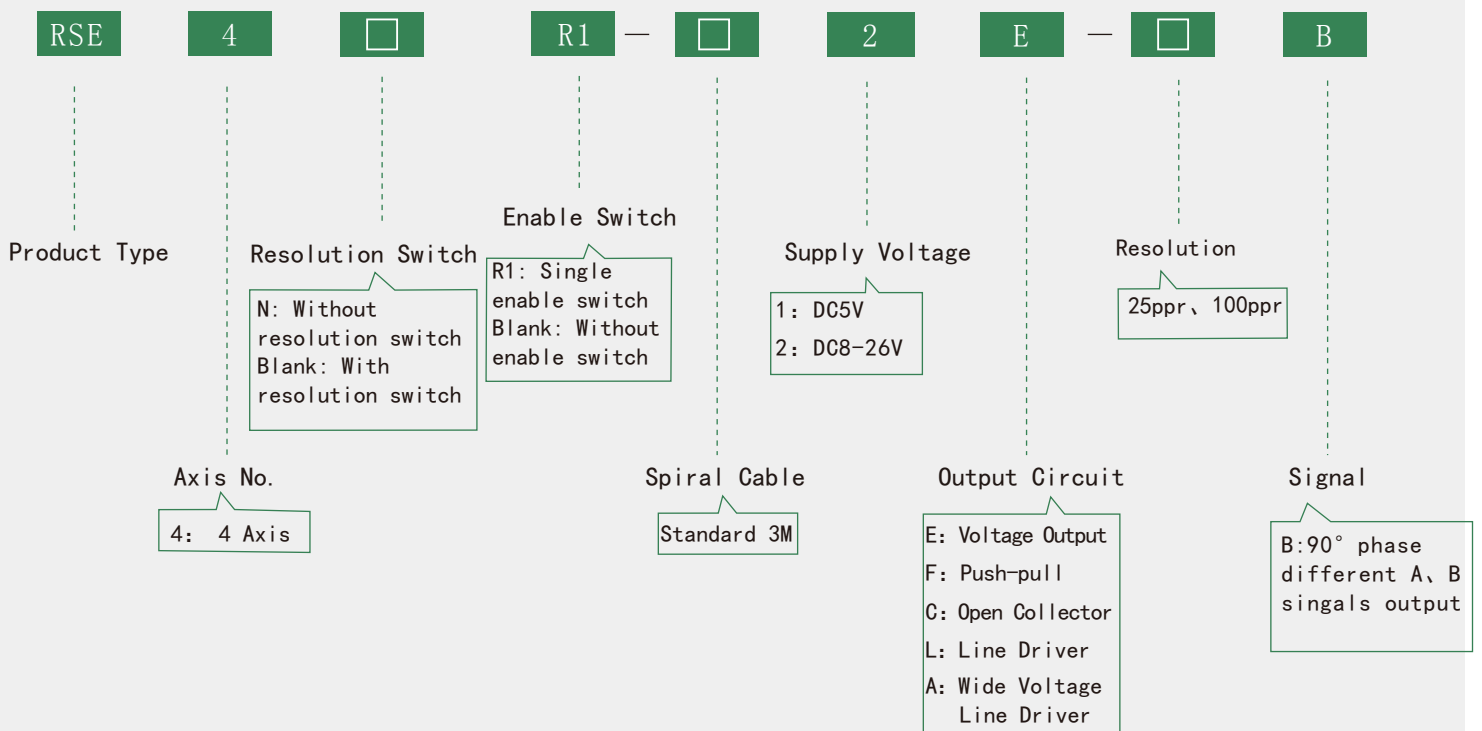
RSE Series

# Applications & Features



Compact design, easy to move.  
 All-plastic housing, anti-oil, sealed.  
 Housing with hook and magnet.  
 Standard spiral cable 3M.  
 Widely used in CNC machine tools.

## Part Number



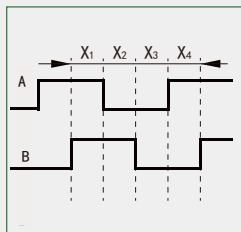
## Electrical Specifications

Output Circuit	Supply Voltage DC (V)	Current Requirement (mA)	Output Voltage (V)		Rise Time (ns)	Fall Time (ns)	Frequency Response (kHz)
			V <sub>H</sub>	V <sub>L</sub>			
E (Voltage)	5±0.25	≤60	≥3.5	≤0.5	≤500	≤100	0~100
	8~26		≥V <sub>CC</sub> -2.5	≤0.5	≤1500	≤300	
C (Open Collector)	5±0.25	≤60	/	/	/	/	0~100
	8~26		/	/	/	/	
L (Line driver)	5±0.25	≤100	≥2.5	≤0.5	≤200	≤200	0~100
A (Wide Voltage Line Driver)	8~26	≤80	≥V <sub>CC</sub> -2.5	≤0.8	≤800	≤200	0~100
F (Push Pull)	5±0.25	≤60	≥3.5	≤0.8	≤300	≤200	0~100
	8~26		≥V <sub>CC</sub> -2.5	≤1.0	≤500	≤200	

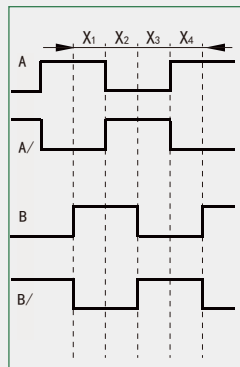
# Output Circuit

E (Voltage)		F (Push-pull)		G (Open Collector)	L, A (Line Driver)
5V	8-26V	5V	8-26V		
					<p>L: 26C31 A: ET7272B</p>

# Output Waveform



Waveform for C, E, F output



Waveform for L, A output

- Wave Ratio :  $X_1+X_2=0.5T \pm 0.1T$   
 $X_2+X_3=0.5T \pm 0.1T$
- Phase Different :  $X_n \geq 0.125T$  ( $n=1, 2, 3, 4$ )
- Absolute Angle Error:  $\leq 0.2T$
- Cycle Error :  $\leq 0.05T$
- $T=360^\circ / N$  ( $N$ =lines count per revolution)

# MPG Function

Axis No.					Resolution Switch			Start (Recover)	Display (LED)		Emergency Stop			
OFF	X	Y	Z	4	X1	X10	X100	COM	DC 24V	OV <sub>LED</sub>	NC1	NC2	NC1	NC2

# Environmental Specifications

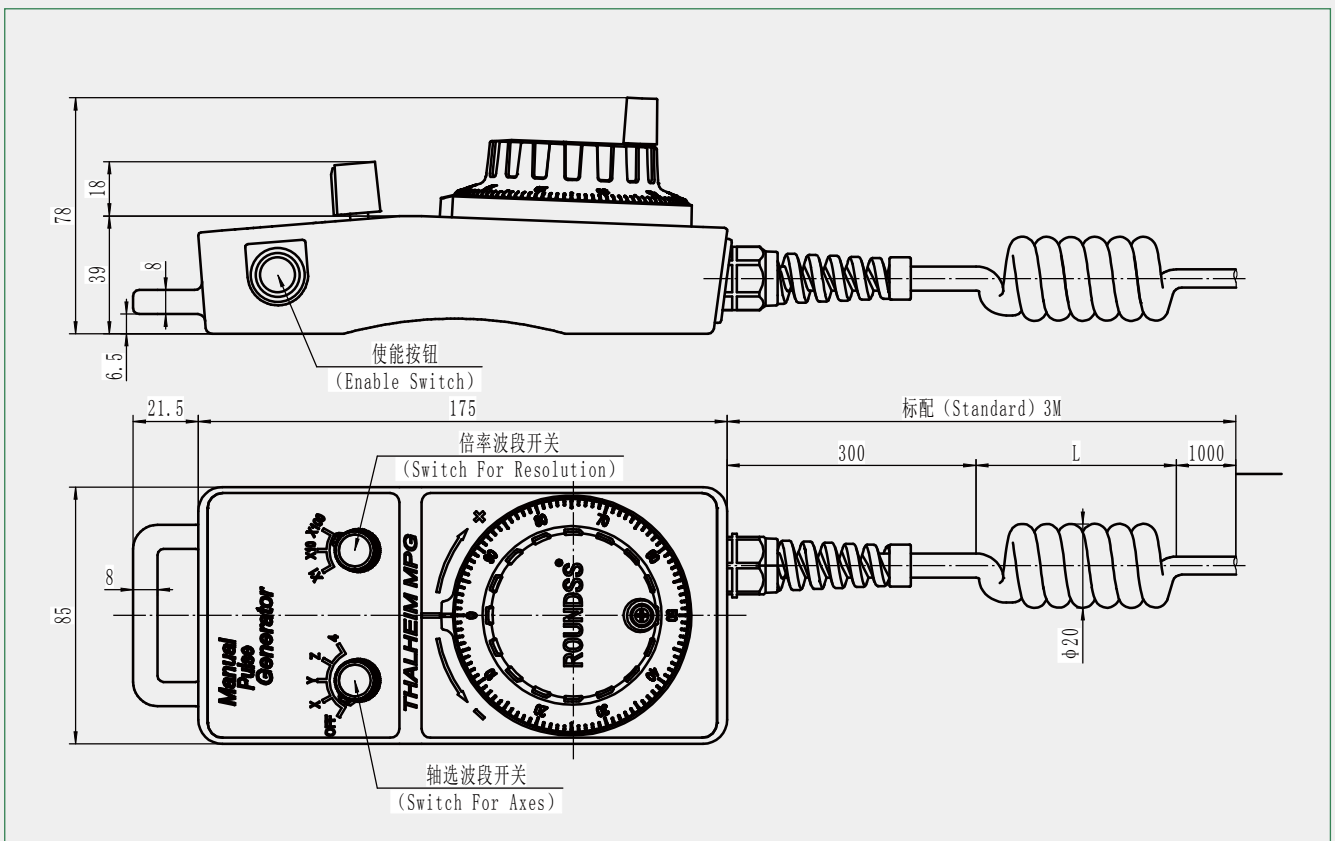
Max. Speed	600r/min
Operating Temp.	-10~+60°C
Store Temp.	-20~+70°C
Size	175*85*78mm
Weight	Approx. 0.71kg

# Connection

17 Pins Cable Wire, 4 Axis

Cable Color	DBU	LBU	RD/BK	BU/BK	RD	BK	YL	WH	CR	GY	CR/BK	GN	OG	BN	PK	PL
L	4	COM	+L	-L	VCC	OV	A	B	X1	X10	X100	X	Y	Z	A/	B/
E	4	COM	+L	-L	VCC	OV	A	B	X1	X10	X100	X	Y	Z	/	/

# Dimension



China Rongde Optics Co., Ltd

[www.roundssencoder.com](http://www.roundssencoder.com)

