

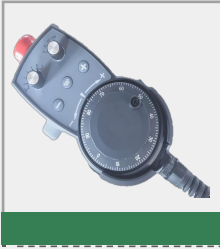
产品选型手册

Product selection guide



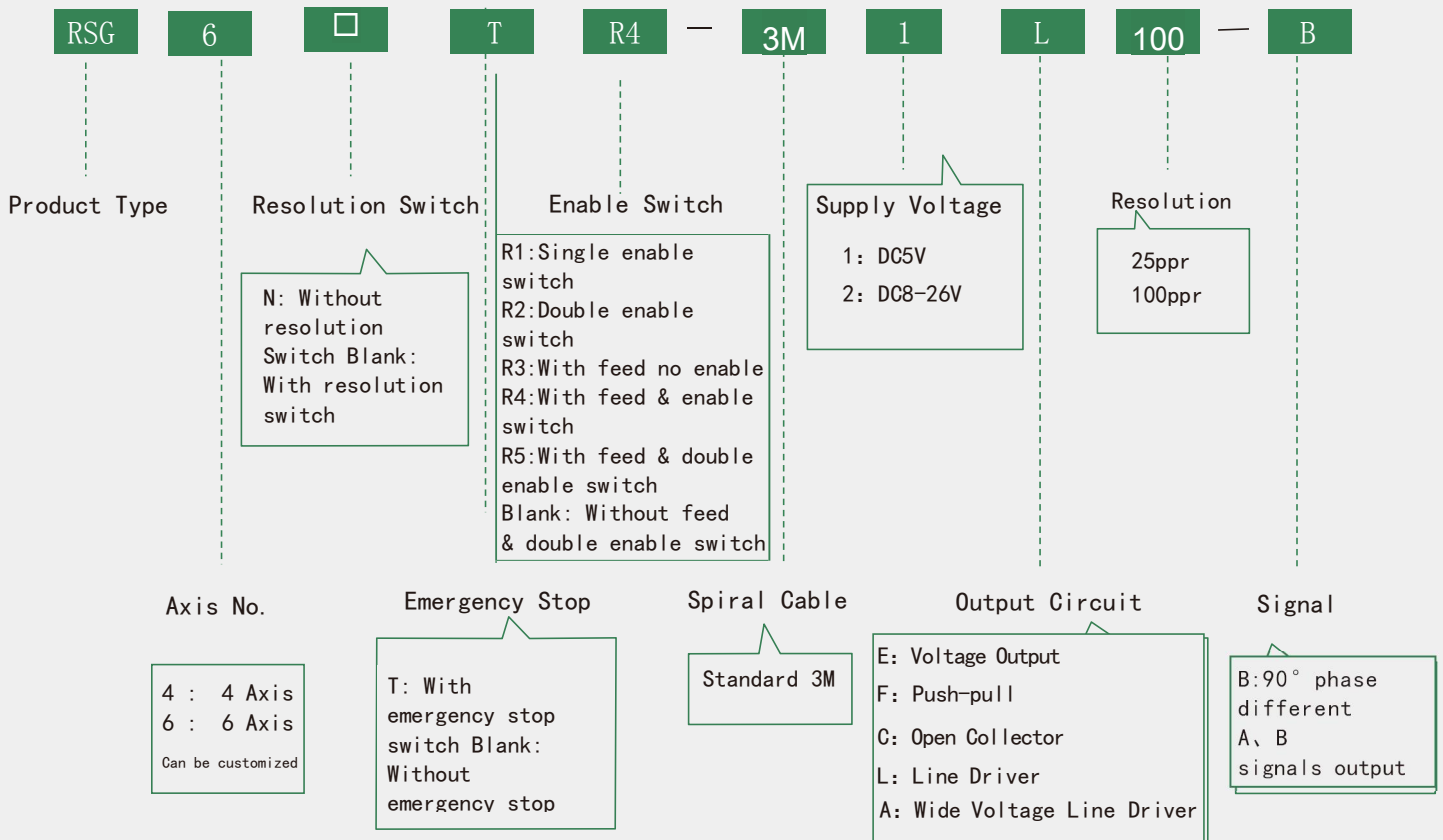
RSG Series

Applications & Features



With machine tool inching function.
 All-plastic housing, anti-oil, sealed.
 Emergency stop switch and reset switch optional.
 Housing with hook and pendant carrier.
 Widely applied in CNC machine tools.

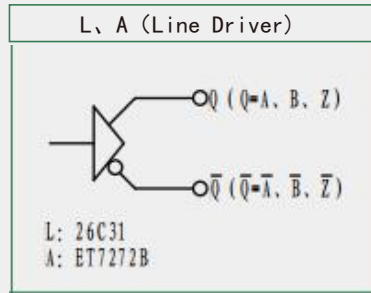
Part Number



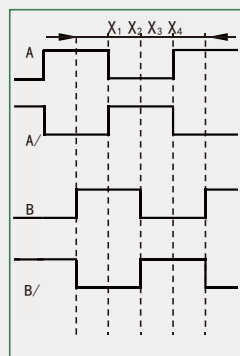
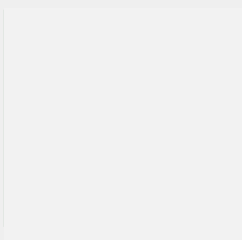
Electrical Specifications

Output Circuit	Supply Voltage DC (V)	Current Requirement (mA)	Output Voltage (V)		Rise Time (ns)	Fall Time (ns)	Frequency Response (kHz)
			V _H	V _L			
	8~26						
L (Line driver)	5±0.25	≤100	>3.5	≤0.7	≤200	≤200	0~300

Output Circuit



Output Waveform



Waveform for L, A output

Wave Ratio : $X1+X2=0.5T \pm 0.1T$
 $X2+X3=0.5T \pm 0.1T$

Phase Different : $Xn \geq 0.125T$ ($n=1, 2, 3, 4$)

Absolute Angle Error: $\leq 0.2T$

Cycle Error : $\leq 0.05T$

$T=360^\circ / N$ (N =lines count per revolution)

MPG Function

Axis No.							Resolution Switch			Inching Button			Start (Recover)				Emergency Stop				
OFF	X	Y	Z	A	B	6	OFF	X1	X10	X100	+	-	fast	NC1	NC2	NC3	NC4	NC1	NC2	NC3	NC4

Environmental Specifications

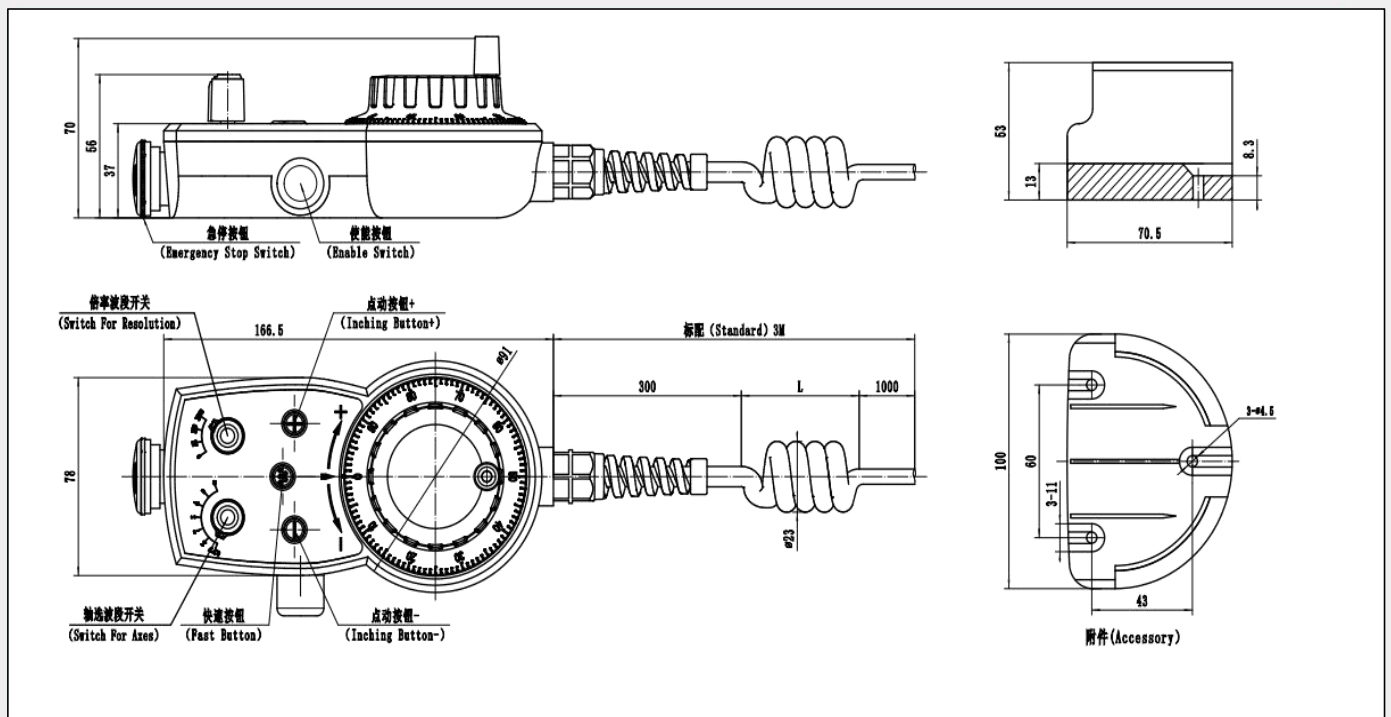
Max. Speed	600r/min
Operating Temp.	-10~+60°C
Store Temp.	-20~+70°C
Size	166.5*78*70mm
Weight	Approx. 0.745kg

Connection

26 Pins Cable Wire, 6 Axis with Emergency Stop Button

Function	Emergency Stop				Enable Switch				Axis No.				Jogging Switch			Resolution Switch			Hand wheel							
Cable Color	BU	RD	BK	PL	OG	WH/PK	YE/BU	WH/PL	LBU	WH/BK	CL/BK	CL	WH/GN	YE/GN	YE/BK	YE/RD	WH/BU	WH/BN	WH	BN	PK	GY	YE	GN	SHD	
L	K1	K2	K3	K4	K1	K2	K3	K4	20	21	22	COM	+	-	fast	20	21	22	0V	5V	B/	B	A/	A	G	N. C.
E	1	2	3	4	5	6	25	7	8	9	10	16	11	12	13	14	15	17	18	19	20	21	22	23	24	26

Dimension



**Changchun Rongde Optics
Co., Ltd**
www.roundssencoder.com

